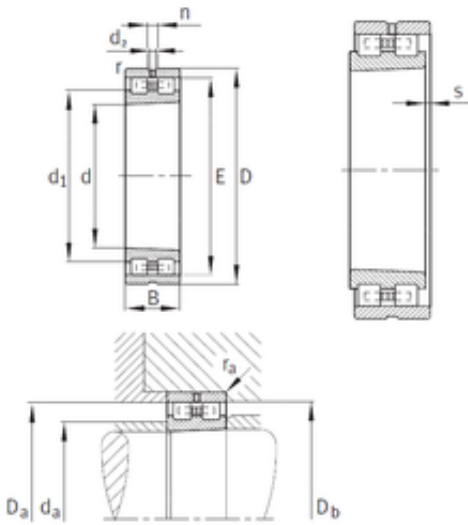


## Aboud automobile.



NN3026-AS-K-M-SP Bearing 2D drawings and 3D CAD models

130 mm x 200 mm x 52 mm INA NN3026-AS-K-M-SP roulements à rouleaux cylindriques

Bearing No. NN3026-AS-K-M-SP

Size	130x200x52 mm
Bore Diameter	130 mm
Outer Diameter	200 mm
Width	52 mm
d	130 mm
D	200 mm
E	182 mm
B	52 mm
C	52 mm
n	9,5 mm
d1	156,4 mm
d2	4,8 mm
r min.	2 mm
da min.	139 mm
Da max.	191 mm
Db min.	184 mm
ra max.	2 mm
S	3,4 mm
Weight	5,79 Kg
Basic dynamic load rating (C)	290 kN
Basic static load rating (C0)	500 kN
(Grease) Lubrication Speed	3 800 r/min
(Oil) Lubrication Speed	4 500 r/min