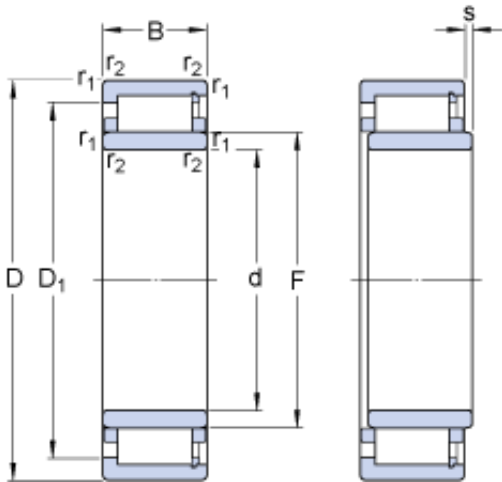


## Aboud automobile.



### 180 mm x 320 mm x 86 mm SKF NUH 2236 ECMH roulements à rouleaux cylindriques

Bearing No. NUH 2236 ECMH

Size	320x180x86 mm
Bore Diameter	320 mm
Outer Diameter	180 mm
Width	86 mm
d	180 mm
D	320 mm
B	86 mm
D <sub>1</sub>	278.8 mm
F	215 mm
s	2.4 mm
r <sub>1,2</sub> - min.	4 mm
d <sub>a</sub> - min.	197 mm
d <sub>a</sub> - max.	211 mm
d <sub>b</sub> - min.	218 mm
D <sub>a</sub> - min.	285 mm
D <sub>a</sub> - max.	302.2 mm
r <sub>a</sub> - max.	3 mm
Basic dynamic load rating - C	1200 kN
Basic static load rating - C <sub>0</sub>	1600 kN
Fatigue load limit - P <sub>u</sub>	166 kN
Reference speed	2200 r/min
Limiting speed	2800 r/min
Calculation factor - k <sub>r</sub>	0.16
D <sub>1</sub>	278.8 mm

NUH 2236 ECMH Bearing 2D drawings and 3D CAD models



## Aboud automobile.

s max.	2.4 mm
$r_{1,2}$ min.	4 mm
$d_a$ min.	197 mm
$d_a$ max.	211 mm
$d_b$ min.	218 mm
$D_a$ min.	285 mm
$D_a$ max.	302.2 mm
$r_a$ max.	3 mm
Basic dynamic load rating C	1200 kN
Basic static load rating $C_0$	1600 kN
Fatigue load limit $P_u$	166 kN
Calculation factor $k_r$	0.16
Mass bearing	29.7 kg